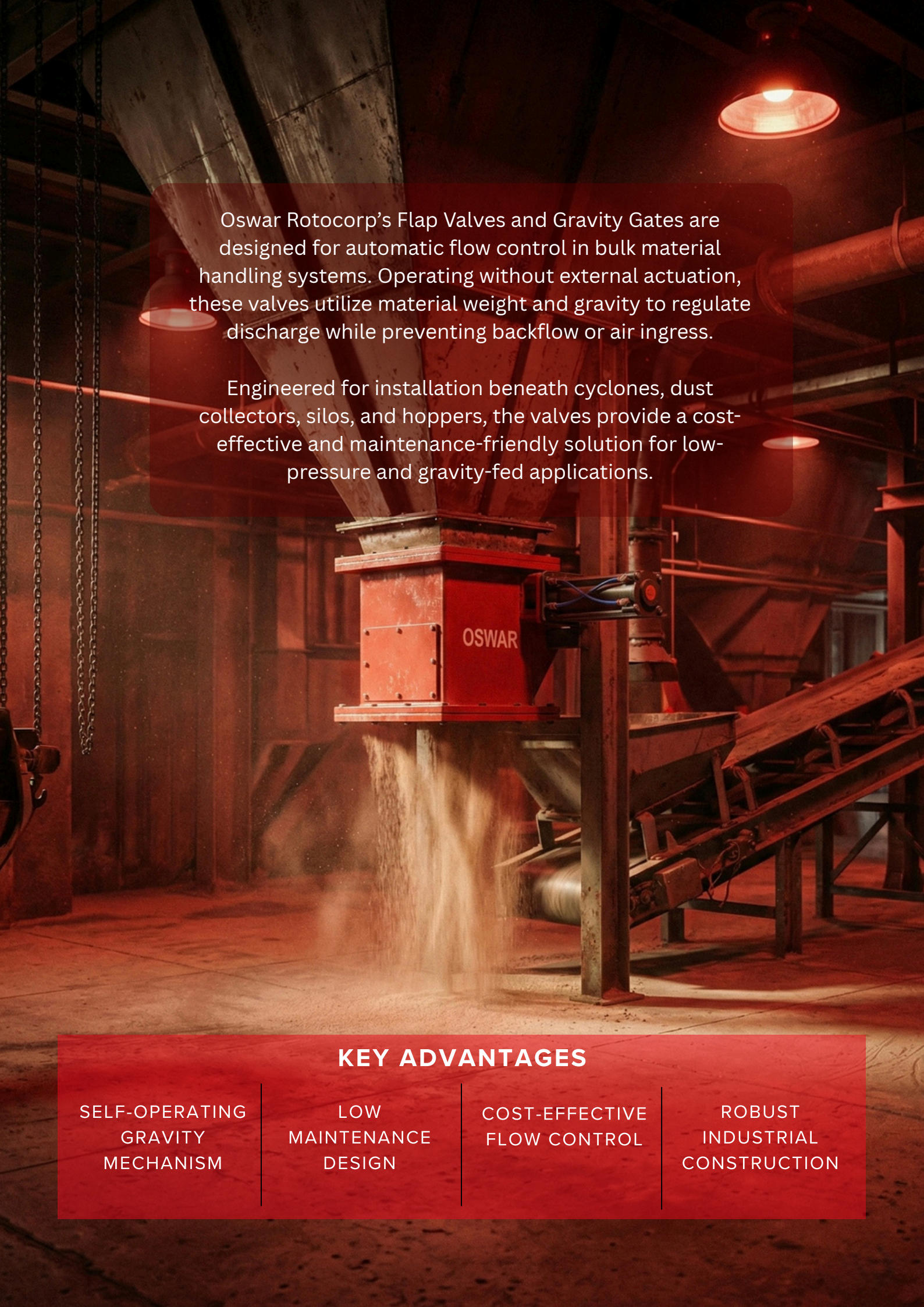


# FLAP VALVES / GRAVITY GATES

SIMPLE. RELIABLE. GRAVITY-  
OPERATED FLOW CONTROL.



**OSWAR**  
rotocorp

The background image shows an industrial facility with a large red valve labeled 'OSWAR' in the center. The valve is discharging a stream of light-colored granular material. The scene is lit with warm, reddish-orange lights, creating a dramatic atmosphere. Various pipes, structural beams, and a conveyor belt are visible in the background.

Oswar Rotocorp's Flap Valves and Gravity Gates are designed for automatic flow control in bulk material handling systems. Operating without external actuation, these valves utilize material weight and gravity to regulate discharge while preventing backflow or air ingress.

Engineered for installation beneath cyclones, dust collectors, silos, and hoppers, the valves provide a cost-effective and maintenance-friendly solution for low-pressure and gravity-fed applications.

## KEY ADVANTAGES

SELF-OPERATING  
GRAVITY  
MECHANISM

LOW  
MAINTENANCE  
DESIGN

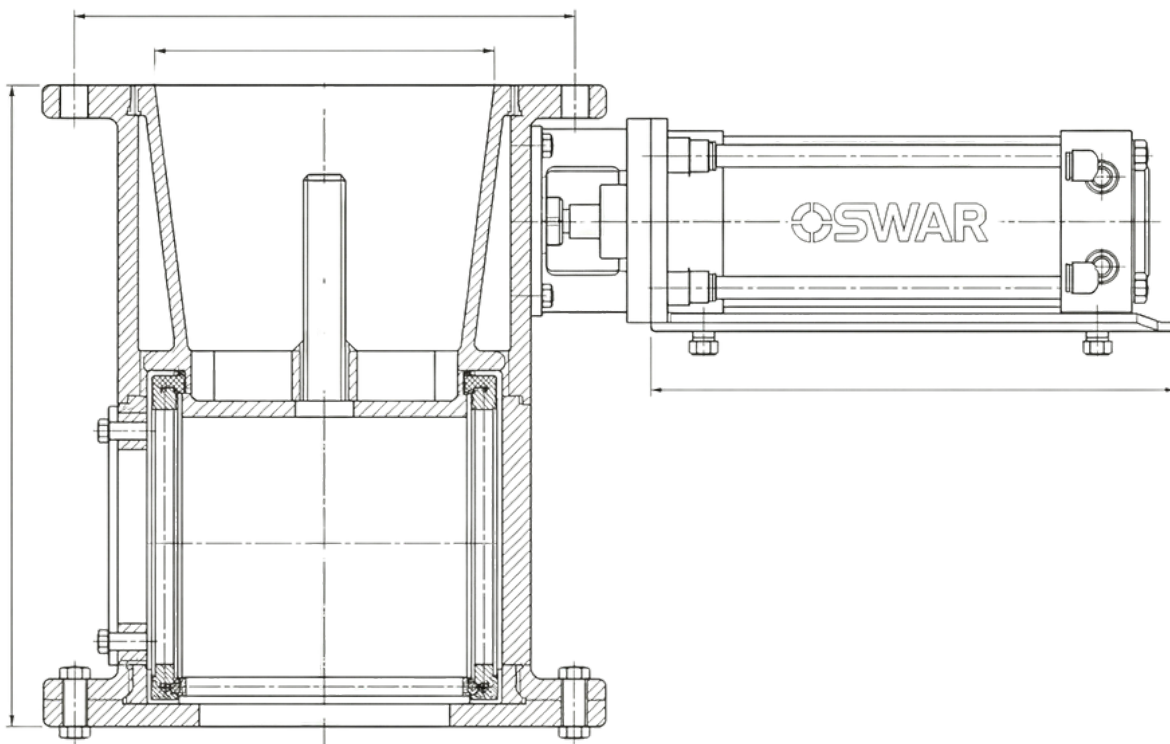
COST-EFFECTIVE  
FLOW CONTROL

ROBUST  
INDUSTRIAL  
CONSTRUCTION

# BUILT FOR SIMPLICITY & DURABILITY

Flap Valves and Gravity Gates are constructed using reinforced housings and wear-resistant flaps to ensure stable operation under continuous material discharge.

The pivot-based flap mechanism is designed for smooth opening under material load and automatic closure when flow stops, minimizing air leakage and preventing reverse flow.



## ENGINEERING FEATURES

- Heavy-duty fabricated steel body
- Wear-resistant flap plate
- Precision hinge and pivot assembly
- Optional adjustable counterweight system
- Simple installation and maintenance

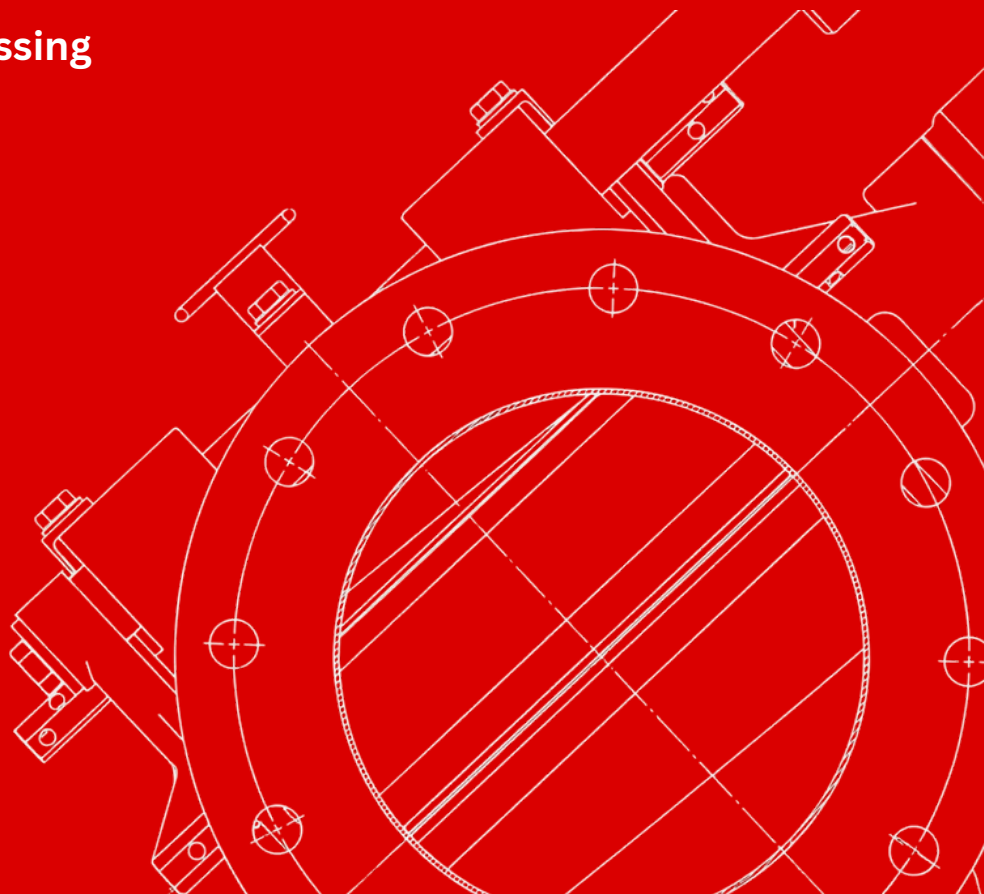
# APPLICATIONS & INDUSTRIAL USE

## Typical Applications:

- Cyclone Discharge Systems
- Bag Filter & Dust Collector Outlets
- Silo & Hopper Bottom Discharge
- Ash Handling Systems
- Bulk Powder Transfer Points

## Industries Served:

- Cement Manufacturing
- Power Plants
- Mining & Mineral Processing
- Steel & Foundry Units
- Chemical Processing



# OSWAR

## rotocorp

### **Corporate Office**

Jaipur, Rajasthan India  
Nagpur, Maharashtra India

### **Sales Inquiries**

[info@oswarrotocorp.com](mailto:info@oswarrotocorp.com)

### **Helpline**

[+44 7917 128505](tel:+447917128505) | +91 77422 36474

**Copyright** © 2026 OSWAR ROTOCORP. All Rights Reserved. OSWAR® is a registered trademark of **OSWAR ROTOCORP**. This brochure makes no offers, representations or warranties (express or implied), and information and data contained in this brochure are for general reference only and may change at any time.